



MINING SOLUTIONS

 MADE IN ITALY

 **REGGIANA
RIDUTTORI**
PLANETARY REDUCTION **GEARS**



OUR DRIVES

FOR MINING AND MINERAL PROCESSING

With over 45 years of engineering experience, Reggiana Riduttori is one of the world's leading companies in the design and manufacture of gearboxes for a wide variety of **power transmission application in the mining and material processing Industries.**

Designed to survive the toughest applications, our gear units exceed customer expectations. Guaranteed long life time and high resistance to torque peaks are just a couple of the many features of our product ranges.

All of our products can be equipped with custom made accessories to ensure seamless and simple assembly on your system. Beside we offer the complete electric package.



Con oltre 45 anni di esperienza ingegneristica, Reggiana Riduttori è una delle aziende leader mondiale nella progettazione e produzione di trasmissioni di potenza per un'ampia gamma di applicazioni nel settore minerario e di trasformazione dei materiali. Progettati per lavorare ad alta intensità, i nostri riduttori superano ogni aspettativa.

Durabilità garantita e alta resistenza ai picchi di coppia sono solo due delle molteplici caratteristiche della nostra gamma di prodotto, che può essere completata con accessori personalizzati per garantire un assemblaggio facile e preciso. Integrazione con motori elettrici o idraulici.

SOLID CONSTRUCTION

100% MANUFACTURED IN ITALY

ATEX CERTIFIED

Edrives





COMPLETE RANGE
FOR EXTRACTING, CONVEYING,
LIFTING, PROCESSING

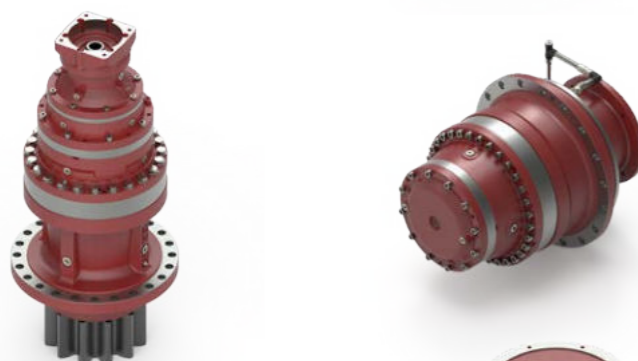
TECHNICAL RATINGS
OF THE RANGE



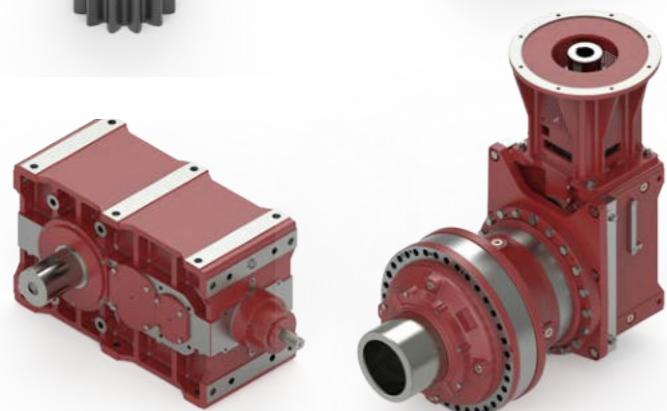
RR/RA
 $T_{2max} Nm=1,200-10,000,000$
Ratio=3.4-5061
Modular planetary reduction gears.



RRTD/RRWD
 $T_{2max} Nm=1,000-50,000$
Ratio=5-179
Compact planetary drives.



RR...FF/RR...W
 $T_{2max} Nm=1.200-230.000$
Ratio=3,4-2500
Swing drives.
 $T_{2max} Nm=10,000-1,100,000$
Ratio=12-860
Winch drives.



**P/RH/RV
& Combined**
 $T_{2max} Nm=2.500-4.300.000$
Ratio=1,12-5061
Helical and bevel helical
line, combined units.



Electric motor arrangement available.

model	Peak Static Torque [Nm]	RATIO	pinion modulus	Max Radial Load [N]
RR1800	40.000	13 ÷ 2212	10 ÷ 14	530.000
RR2500	70.000	15 ÷ 2495	14 ÷ 18	595.000
RR3200	80.000	16 ÷ 2005	14 ÷ 18	595.000
RR4000	100.000	16 ÷ 1910	16 ÷ 20	1.107.000
RR5200	120.000	16 ÷ 1803	16 ÷ 20	1.107.000
RR6500	160.000	16 ÷ 2064	18 ÷ 22	992.000
RR8000	200.000	17 ÷ 1695	20 ÷ 24	1.142.000
RR10000	230.000	17 ÷ 1600	20 ÷ 24	1.142.000

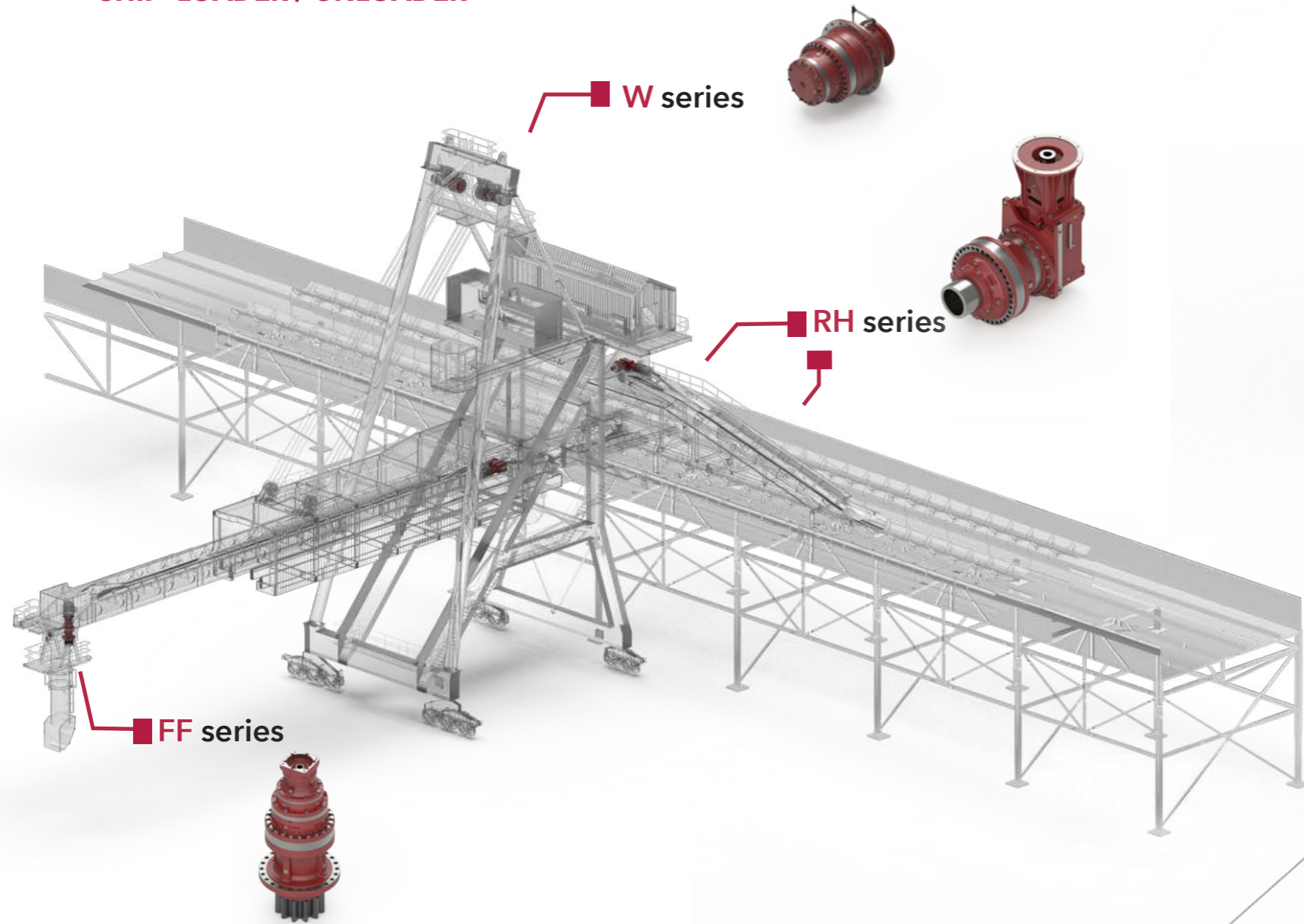
model	$T_{2,fem}$ [Nm]	RATIO	min inner drum diameter [mm]	Weight [kg]
RR510 W	5.200	12 ÷ 248	246	55
RR810 W	9.700	12 ÷ 264	300	100
RR1010 W	14.400	13 ÷ 241	325	113
RR1700 W	22.400	13 ÷ 245	345	151
RR2500 W	29.600	15 ÷ 254	370	205
RR3200 W	44.700	15 ÷ 224	410	260
RR5200 W	64.700	15 ÷ 206	470	360
RR6500 W	82.800	16 ÷ 216	550	540
RR10000 W	117.600	16 ÷ 172	580	780
RR15000 W	172.500	16 ÷ 172	645	1030
RR20000 W	245.000	16 ÷ 160	750	1440
RR25000 W	332.000	16 ÷ 170	850	1980
RR40000 W	470.000	68 ÷ 864	910	3100
RR55000 W	678.000	68 ÷ 806	1020	4400

FEM M5 (T5-L2), n=15 rpm

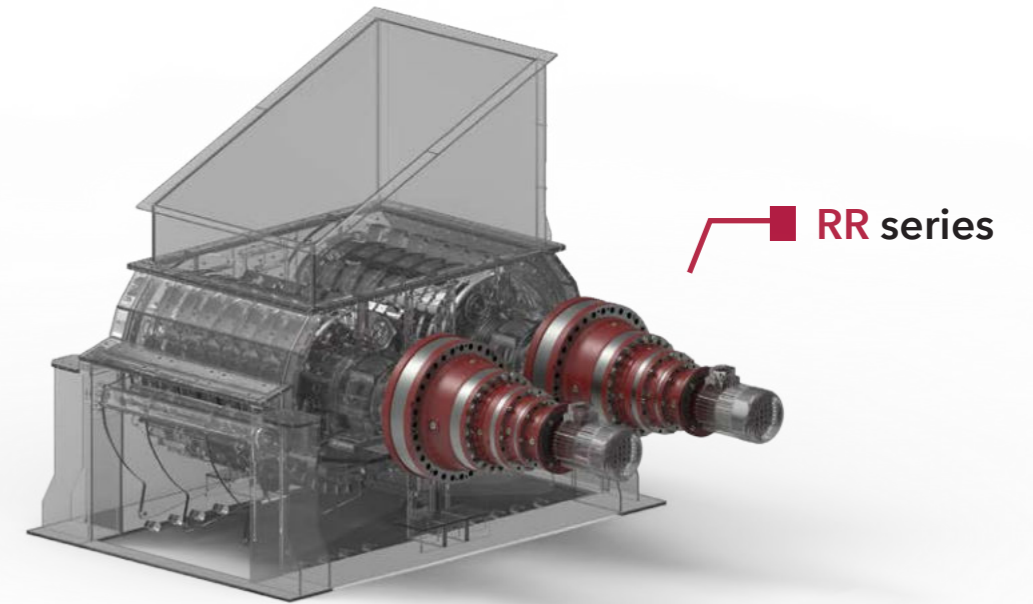
model	$T_{2,NOMINAL}$ [Nm]	$T_{2,max}$ [Nm]	$P_{nominal COMBINED}$ [kW]	$P_{nominal HELICAL}$ kW	RATIO
RR20000/70	210.000	395.000	190	up to 430	90 - 450
RR25000/70	280.000	580.000	260	up to 550	90 - 450
RR40000/80	420.000	790.000	360	up to 750	90 - 450
RR55000/80	560.000	950.000	470	up to 750	90 - 450
RR70000/90	700.000	1.200.000	530	up to 950	90 - 450
RR85000/100	850.000	1.500.000	600	up to 1200	90 - 450
RR110000/60	1.100.000	2.000.000	850	up to 1900	100 - 600
RR150000/70	1.500.000	2.700.000	1.130	up to 2600	100 - 600
RR190000/70	1.900.000	3.650.000	1.570	up to 2600	100 - 600
RR240000/80	2.400.000	4.300.000	2.200	up to 3700	100 - 600

**MINING
APPLICATIONS**

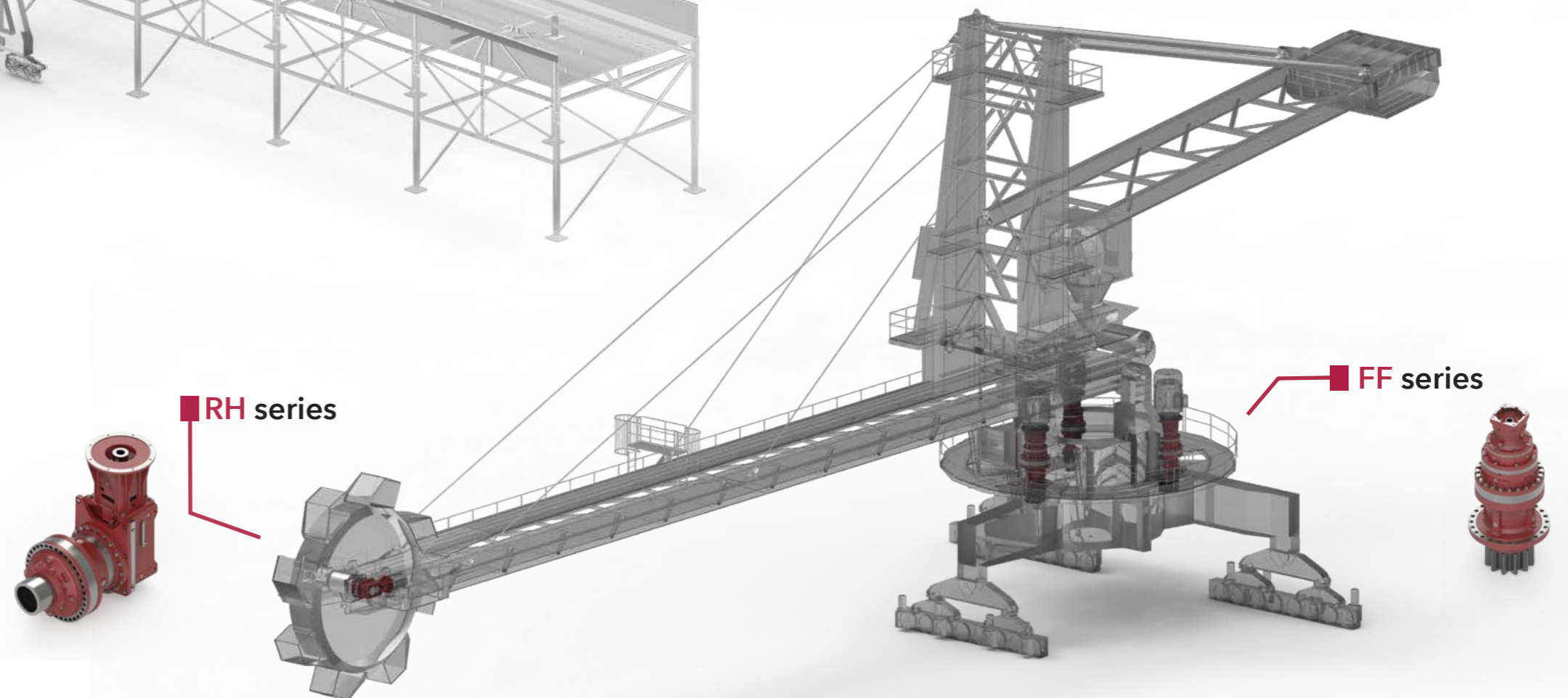
SHIP- LOADER / UNLOADER



CRUSHER



STACKER & RECLIMER



SPECIAL FEATURES FOR MINING

- Extra dust protection system
- Dedicated seals
- Back stop
- Self cooling units
- Temperature & vibration monitoring system available

MINING APPLICATIONS

THICKENER / CLARIFIER

MULTIPLE DRIVE

FF series



SINGLE DRIVE

RR series



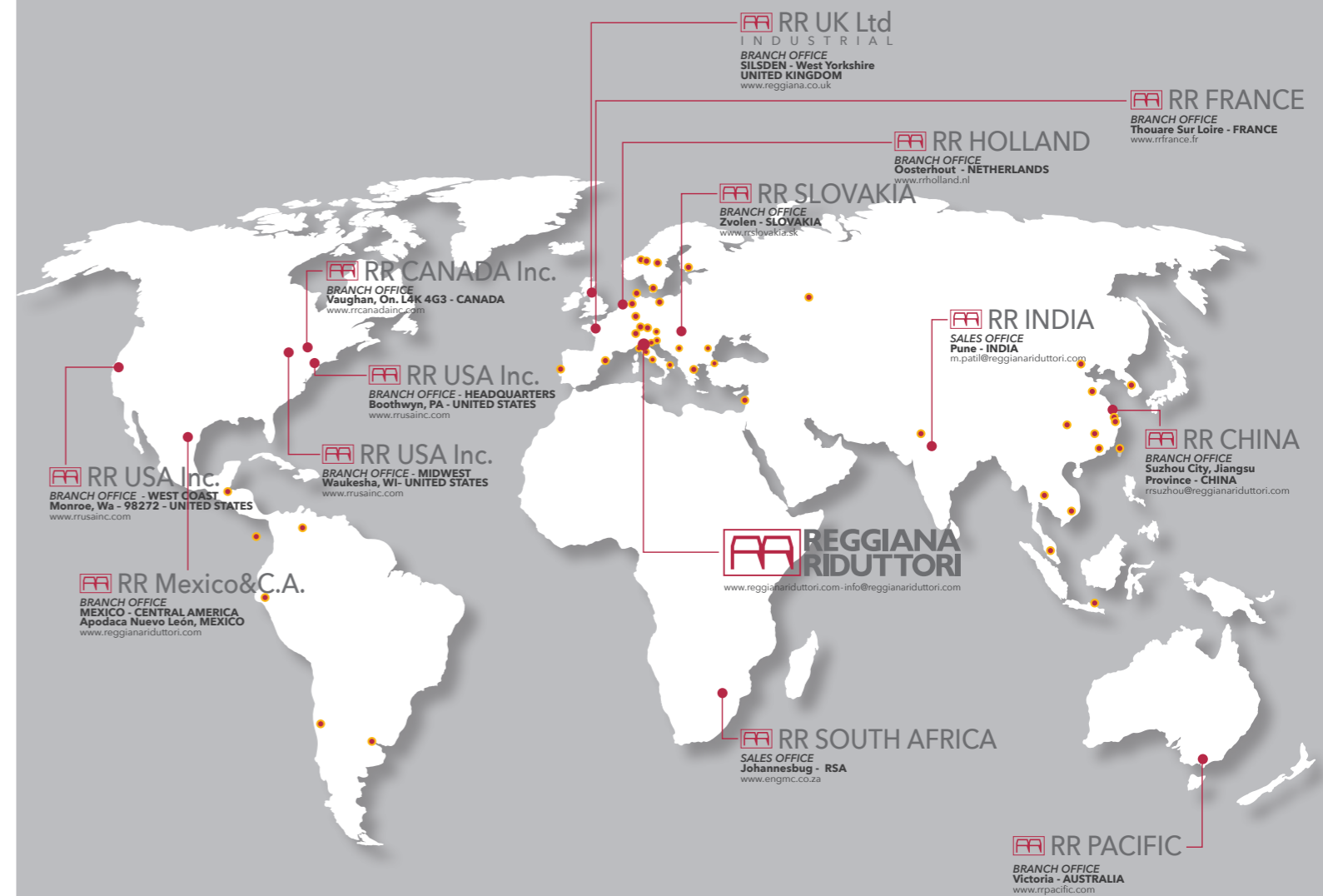
OTHER APPLICATIONS

Please contact Reggiana Riduttori Sales Department for any further information.

GLOBAL SALES NETWORK

● MASTER DISTRIBUTOR

● BRANCH



www.reggianariduttori.com

REGGIANA RIDUTTORI S.r.l.

Via Martiri di Marzabotto,7
42020 - S. Polo d'Enza (RE) - ITALY
tel. +39.0522.259111 - fax +39.0522.874321
info@reggianariduttori.com



A member of



 **REGGIANA
RIDUTTORI**
PLANETARY REDUCTION **GEARS**