



www.reggianariduttori.com

REGGIANA RIDUTTORI S.r.l.

Via Martiri di Marzabotto,7
42020 - S. Polo d'Enza (RE) - ITALY
tel. +39.0522.259111 - fax +39.0522.874321
info@reggianariduttori.com

SLEWING DRIVES

 MADE IN ITALY

A member of



is a brand of Reggiana
Riduttori Srl

 **REGGIANA
RIDUTTORI**
PLANETARY REDUCTION **GEARS**

 **REGGIANA
RIDUTTORI**
PLANETARY REDUCTION **GEARS**

OUR DRIVES FOR SLEWING

This wide range of Reggiana Riduttori slewing drive series is suitable for the most severe duties in every environment. **Durability, reliability and strenght** are the leading values that drive RR team while designing and manufacturing units for deck / offshore cranes, truck mounted cranes, forestry machines, drilling machines and also wind turbine or special industrial equipment.



APPLICABLE MOTORS

- Hydraulic piston motors
- Hydraulic orbital motors
- Electric motors IEC
- Electric motors NEMA

CONSTRUCTION FEATURES

- High transmissible torque
- High radial/thrust load capacity
- Wide range of modular gearboxes
- Wide range of reduction ratios (from 11 up to 2495)



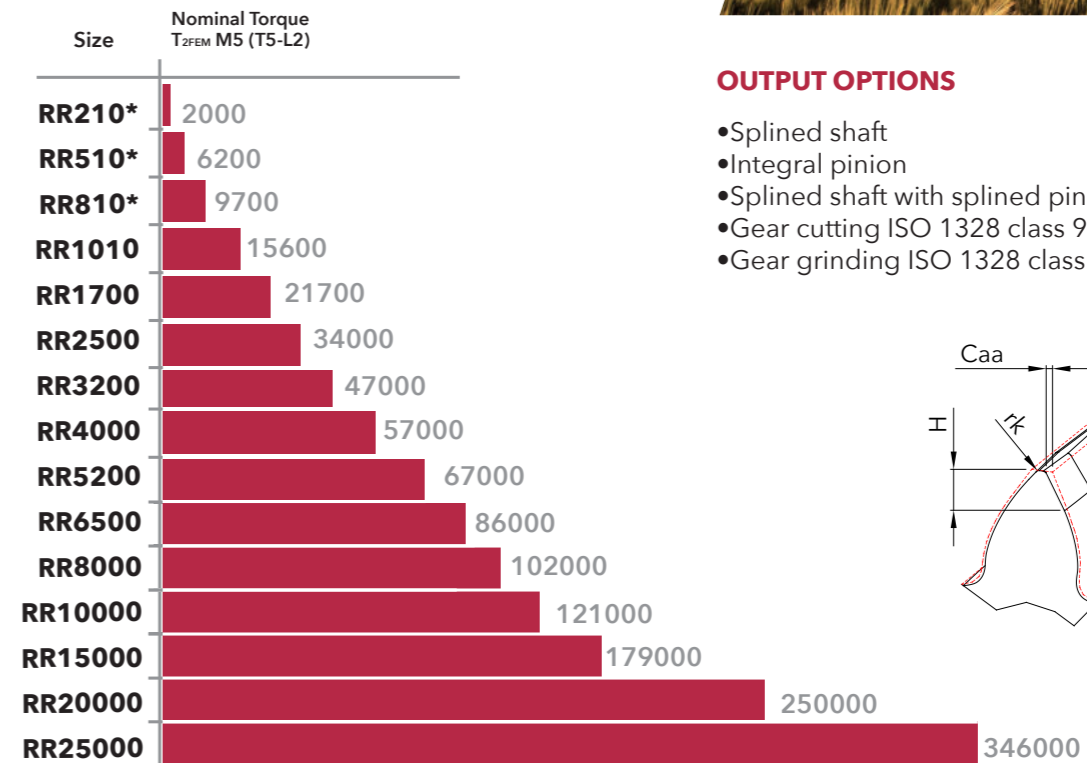
BRAKE OPTIONS

- Hydraulically released parking brake on request

KEY OPTIONS

- Flange mounted
- Output shaft: splined or with integral pinion
- Strong construction
- Output shafts supported by heavy duty capacity bearings
- Pinion side bearing lubricated by longlife grease
- Flexible input configuration (bevel gear, brakes)
- ATEX, DNV TA certified. Available certification from all the main certification bodies.

TECHNICAL DATA

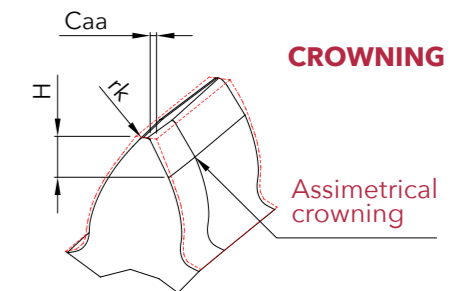


OUTPUT OPTIONS

- Splined shaft
- Integral pinion
- Splined shaft with splined pinion
- Gear cutting ISO 1328 class 9-10
- Gear grinding ISO 1328 class 6-7

TIP RELIEF

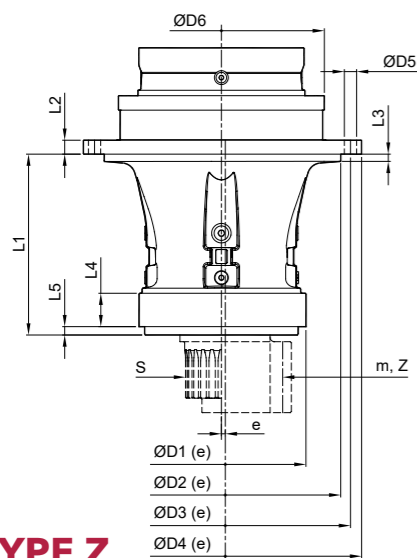
- $rK = 0.1 \cdot m$
- $Caa = 0.01 \cdot m$
- $H = 0.5 \cdot m$



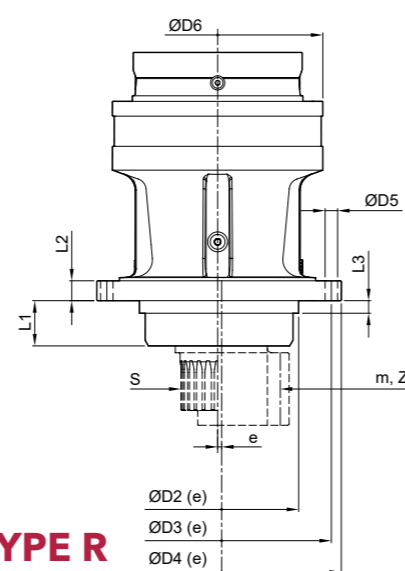
* Available on request

SIZE - TYPE	D1	D2	D3	D4	D5	D6	e	L1	L2	L3	L4	L5	S	AVAILABLE m, Z
RR1010 Z	250 f7	280 f7	380	420	Ø17.5 n°24	320	1	284	20	15	80	-	DIN5480 W120x3x30x38 8f	10 ÷ 14
RR1010 R	-	230 f7	295	325	Ø18 n°10	320	-	34.5	24	10	-	-	DIN5482 B80x74 e9	10 ÷ 14
RR1700 Z	250 f7	280 f7	380	420	Ø17.5 n°24	340	1	284	20	15	80	-	DIN5480 W120x3x30x38 8f	10 ÷ 14
RR1700 R	-	255 f7	314	375	Ø18 n°10	340	1.5	80	30	25	-	-	DIN5480 W120x3x30x38 8f	10 ÷ 14
RR2500 Z	300 f7	425 f7	460	500	Ø22 n°24	368	2.5	325	25	13	70	-	DIN5480 W130x5x30x24 8f	14 ÷ 18
RR2500 R	-	280 f7	395	429	Ø22 n°24	368	2.5	80	35	80	-	-	DIN5480 W130x5x30x24 8f	14 ÷ 18
RR3200 Z	300 f7	425 f7	460	500	Ø22 n°24	403	2.5	325	25	13	70	-	DIN5480 W130x5x30x24 8f	14 ÷ 18
RR3200 R	-	280 f7	395	429	Ø22 n°24	403	2.5	80	35	80	-	-	DIN5480 W130x5x30x24 8f	14 ÷ 18
RR4000 Z	340 f7	400 f7	510	555	Ø22 n°24	455	2.5	420	25	15	70	20	DIN5480 W170x5x30x32 8f	16 ÷ 20
RR4000 R	-	410 f7	450	490	Ø22 n°24	455	2.5	110	40	20	-	-	DIN5480 W170x5x30x32 8f	16 ÷ 20
RR5200 Z	340 f7	400 f7	510	555	Ø22 n°24	455	2.5	420	25	15	70	20	DIN5480 W170x5x30x32 8f	16 ÷ 20
RR5200 R	-	410 f7	450	490	Ø22 n°24	455	2.5	110	40	20	-	-	DIN5480 W170x5x30x32 8f	16 ÷ 20
RR6500 Z	370 f7	540 f7	580	620	Ø22 n°28	510	2.5	517	30	15	90	34	DIN5480 W170x5x30x32 8f	18 ÷ 22
RR6500 R	-	420 f7	490	530	Ø22 n°24	510	2.5	140	40	25	-	-	DIN5480 W170x5x30x32 8f	18 ÷ 22
RR8000 Z	420 f7	600 f7	650	700	Ø26 n°28	565	2.5	577	30	20	100	32	DIN5480 W200x5x30x38 8f	20 ÷ 24
RR8000 R	-	460 f7	510	565	Ø26 n°24	565	2.5	173	40	25	-	-	DIN5480 W200x5x30x38 8f	20 ÷ 24
RR10000 Z	420 f7	600 f7	650	700	Ø26 n°28	565	2.5	577	30	20	100	32	DIN5480 W200x5x30x38 8f	20 ÷ 24
RR10000 R	-	460 f7	510	565	Ø26 n°24	565	2.5	173	40	25	-	-	DIN5480 W200x5x30x38 8f	20 ÷ 24
RR15000 Z	480 f7	650 f7	720	775	Ø26 n°32	640	5	585	35	20	150	40	DIN5480 W220x5x30x42 8f	22 ÷ 26
RR15000 R	-	555 f7	600	650	Ø30 n°32	640	5	145	45	25	-	-	DIN5480 W220x5x30x42 8f	22 ÷ 26
RR20000 Z	500 f7	740 f7	800	865	Ø30 n°32	720	5	705	40	22	170	40	DIN5480 W280x8x30x34 8f	24 ÷ 30
RR20000 R	-	630 f7	680	740	Ø30 n°32	720	5	150	50	25	-	-	DIN5480 W280x8x30x34 8f	24 ÷ 30
RR25000 Z	520 f7	835 f7	900	970	Ø33 n°36	810	5	835	45	25	175	40	DIN5480 W280x8x30x34 8f	24 ÷ 30
RR25000 R	-	700 f7	770	840	Ø33 n°36	810	5	150	55	30	-	-	DIN5480 W280x8x30x34 8f	24 ÷ 30

Number of teeth of pinion upon request



TYPE Z



TYPE R