



MOBILE SOLUTIONS

 MADE IN ITALY

 **REGGIANA
RIDUTTORI**
PLANETARY REDUCTION **GEARS**





OUR DRIVES

FOR CONSTRUCTION, SERVICE AND MAINTENANCE

With almost 50 years of engineering experience, Reggiana Riduttori is one of the world's leading companies **in the design and manufacture of gearboxes for a wide variety of power transmission applications in the mobile industry.**

To ensure that the highest standards in engineering, quality and production are always met, our products are 100% manufactured in our headquarters in Italy.

Designed **to resist intense application cycles**, our gear units go beyond expectations.

A guaranteed long life time and high resistance to torque peaks are just a couple of the many features of our product range.

All gearboxes can be equipped with custom made accessories and motors, to ensure a perfect and simple assembly on your system.



*Con quasi 50 anni di esperienza ingegneristica, Reggiana Riduttori è uno dei leader mondiali nella progettazione e produzione di trasmissioni di potenza **dedicate alle applicazioni del settore mobile.***

Per assicurare che i più alti standard ingegneristici, produttivi e qualitativi siano sempre garantiti, i nostri prodotti sono interamente lavorati nei nostri stabilimenti di San Polo d'Enza (RE).

*Progettati per cicli di lavoro intensi, i nostri riduttori superano ogni aspettativa **in termini di durata e resistenza ai picchi di coppia.***

Tutti i prodotti possono essere completati con accessori personalizzati e motori idraulici o elettrici, per assicurare un semplice e perfetto assemblaggio su ogni tipo di applicazione.

RELIABILITY

100% MANUFACTURED IN ITALY

ATEX CERTIFIED

READY TO RUN ELECTRIC



Edrives

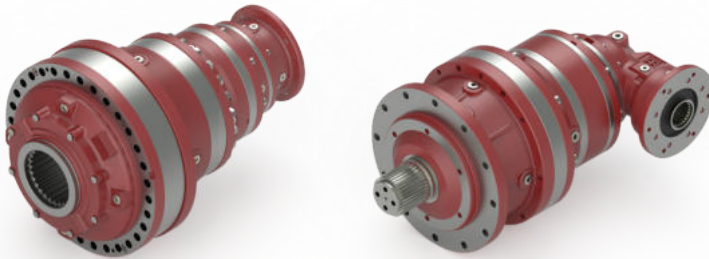


TECHNICAL RATINGS FOR MOBILE APPLICATIONS

■ RR/RA

$T_{2max} Nm = 1,200 - 10,000,000$
Ratio = 3.4-5061

Modular planetary reduction gears.



■ RRTD/RRWD

$T_{2max} Nm = 1,000 - 50,000$
Ratio = 5-179

Compact planetary drives.



■ RR...W

$T_{2max} Nm = 10,000 - 1,100,000$
Ratio = 12-860

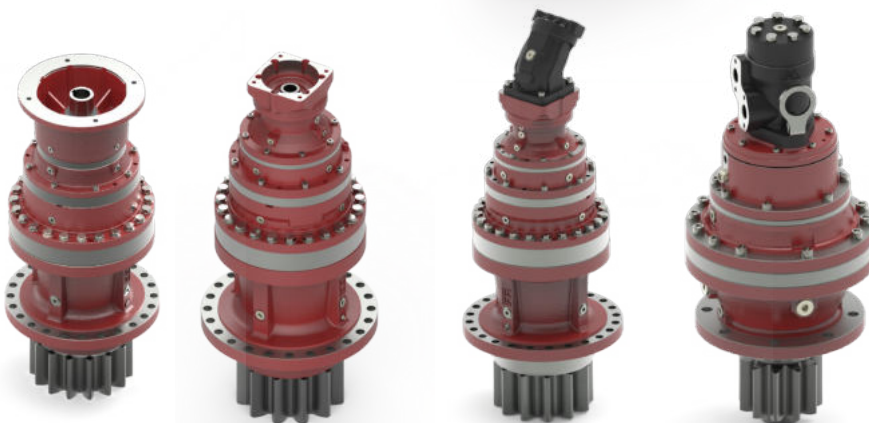
Winch drives.



■ RR+ | FF series

$T_{2max} Nm = 1,200 - 230,000$
Ratio = 3.9-2500

Swing drives.



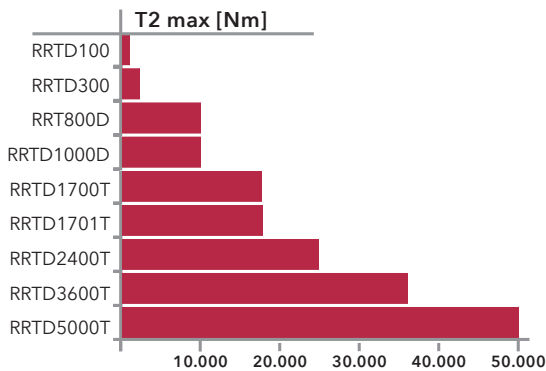
Electric motor arrangement available.

TECHNICAL RATINGS

AND MAIN FEATURES



I RRTD



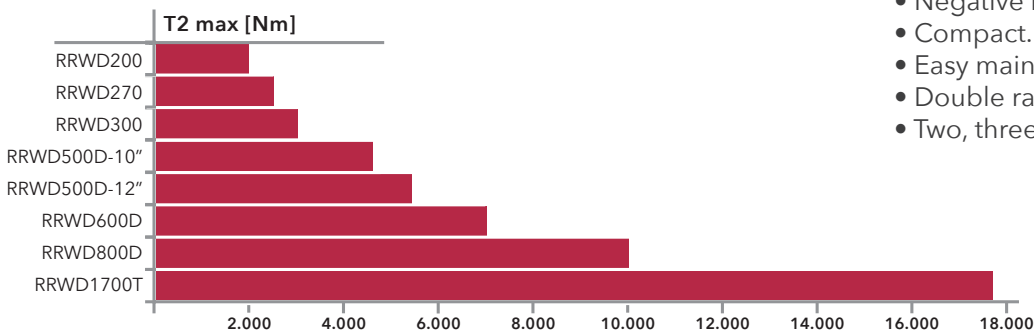
WHEEL & TRACK DRIVES

- Made with alloyed steels.
- Maximum performances.
- High resistance to impacts.
- Great radial and axial loads capabilities.

SWING DRIVES

- Reinforced output supports.
- Compact dimensions.
- High radial load resistance.
- Wide range of accessories.
- Negative brakes.

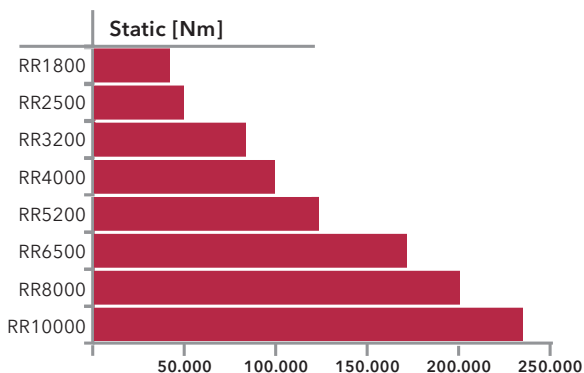
I RRWD



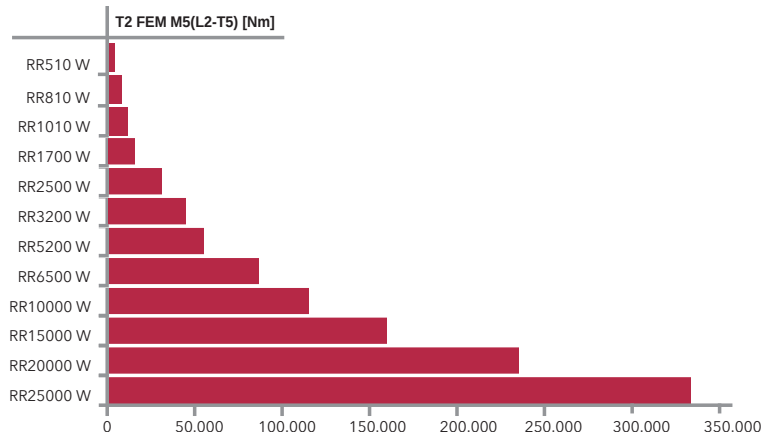
WINCH DRIVES

- Negative brakes with backstop device.
- Compact.
- Easy maintenance.
- Double radial shaft seal protection.
- Two, three, four stages and bevel options.

I RR+ | FF series

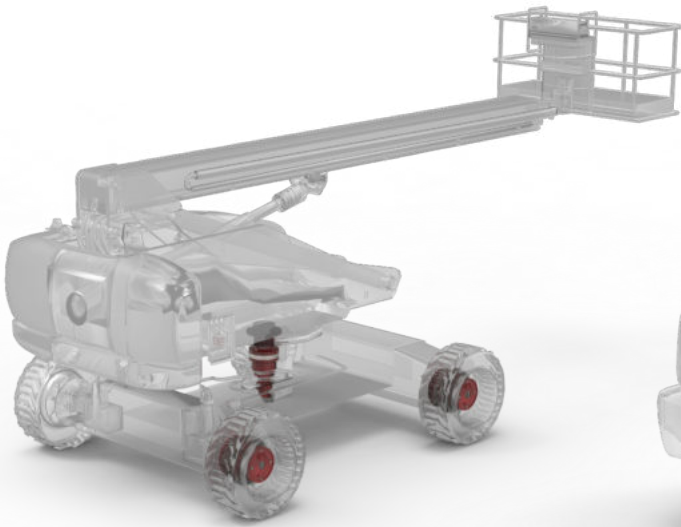


I RR...W

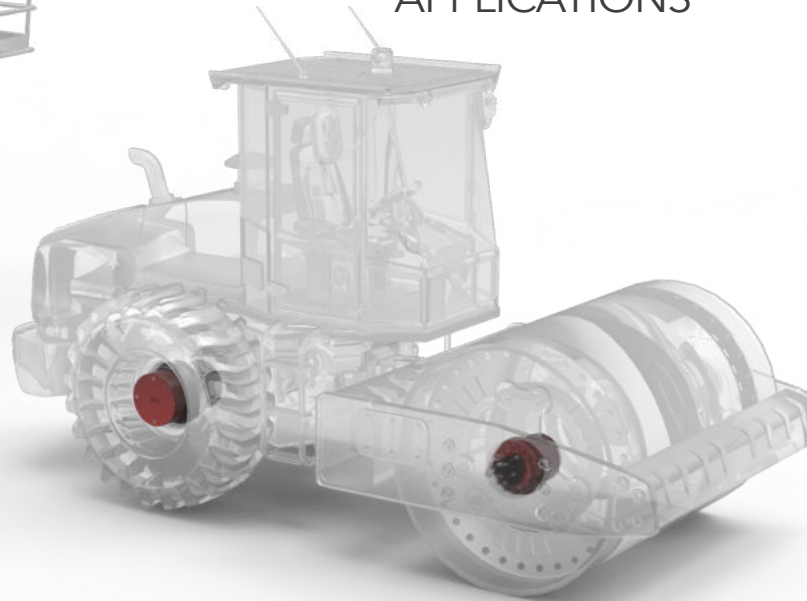


SOME MOBILE

APPLICATIONS

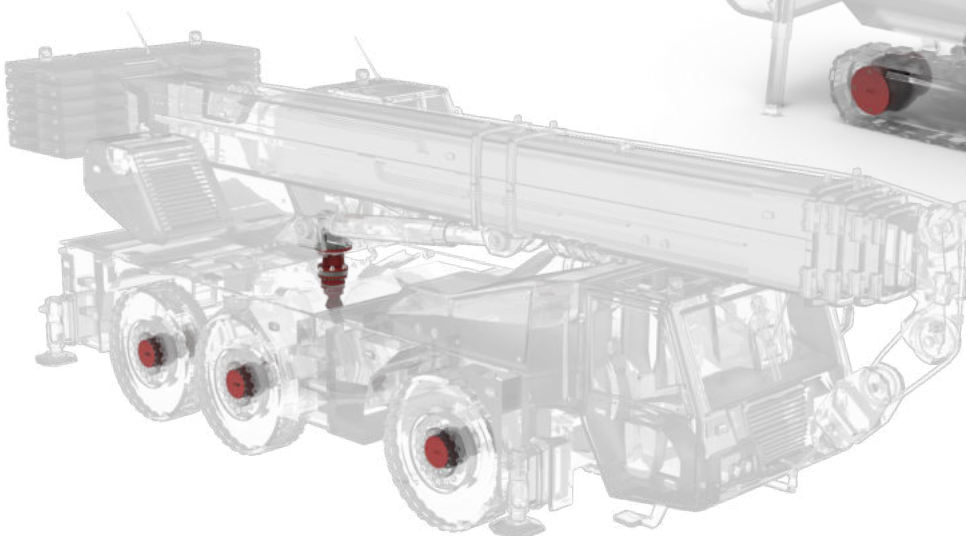
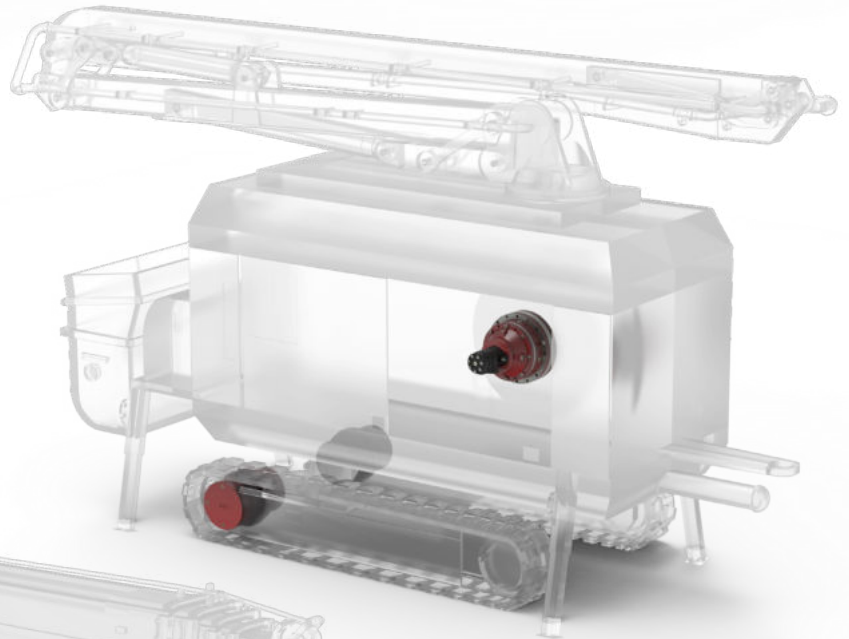


AERIAL PLATFORMS



**ROAD ROLLERS
& PAVERS**

**CONCRETE
PUMP TRUCKS**



**TRUCK CRANES
& LOADERS**

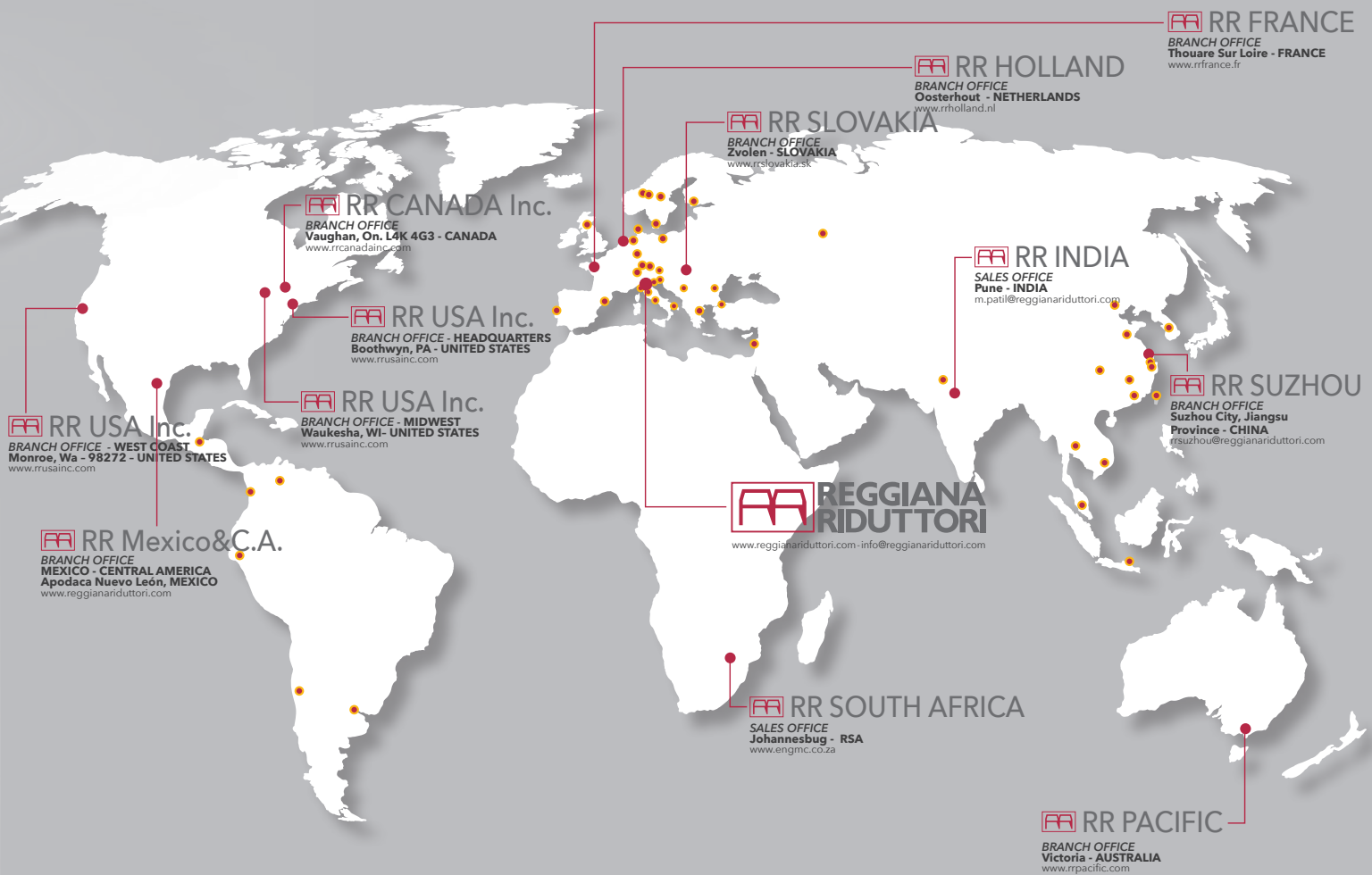
OTHER APPLICATIONS

Please contact Reggiana Riduttori Sales Department for any further information.

GLOBAL

SALES NETWORK

- MASTER DISTRIBUTOR
- BRANCH



www.reggianariduttori.com

REGGIANA RIDUTTORI S.r.l.

Via Martiri di Marzabotto,7
42020 - S. Polo d'Enza (RE) - ITALY
tel. +39.0522.259111 - fax +39.0522.874321
info@reggianariduttori.com



A member of



 **REGGIANA
RIDUTTORI**
PLANETARY REDUCTION **GEARS**